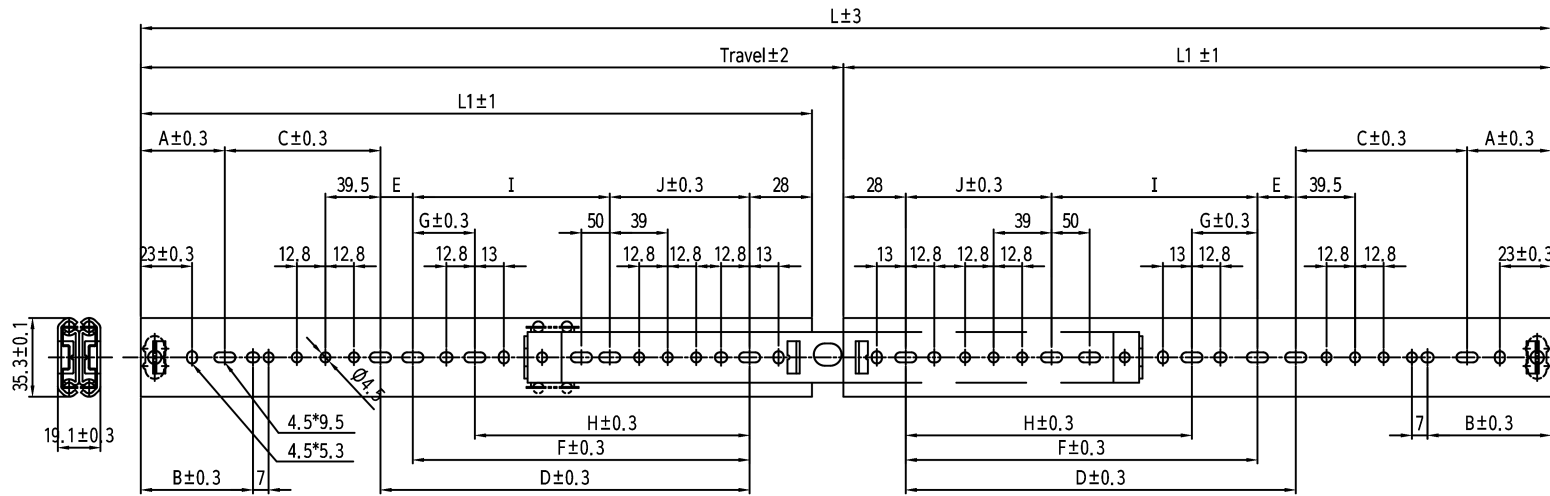


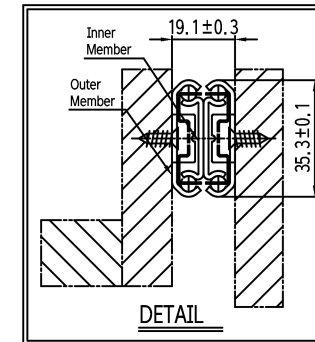
작성 도면 (App) and DRAW. No.)	
도면 번호 (DRAW. No.)	비고 (Remarks)
1	
2	

MARK	DATE	DETAIL OF REVISION	CHECK	APP.
▲				



ITEM NO	L1±1	Travel±2	A±0.3	B±0.3	C±0.3	D±0.3	E	F±0.3	G±0.3	H±0.3	I	J±0.3	L±3	Load Rating
C3301 (12") 구형	301	364	50	145	167	56							665	47kg
C3352 (14") 구형	352	415	50	145	167		50	57					767	44kg
C3403 (16") 신형	402	464	55		167		50	108					866	42kg
C3454 (18") 신형	454	517	55		162		50	159					971	40kg
C3505 (20") 신형	505	569	55		162		50	210					1074	38kg
C3557 (22") 신형	556	622	55		162		50	261					1178	36kg
C3608 (24") 신형	608	674	55		162		50	313					1282	34kg
C3640 (25") 신형	635	680	55		162		50	340					1315	31kg
C3710 (28") 신형	710	780	55		162		50		98.5	316.5			1490	30kg
C3760 (30") 신형	760	830	55		162		50				276	189	1590	27kg

*샘플확인 후 타공요망.



- 주 기
1. 샘플 승인 득한후 양산할 것.
 2. 제품 조립시 작업자가 상해를 입지 않도록 날카로운 부위를 제거한다.
 3. 지시하지 않은 R은 자연R로 한다.
 4. 기타 자세한 사항은 설계자와 협의한다.

GENERAL TOLERANCE			
GRADE	A LEVEL	B LEVEL	C LEVEL
1-4	±0.07	±0.10	±0.25
4-8	±0.07	±0.20	±0.35
10-13	±0.10	±0.30	±0.50
16-25	±0.15	±0.55	±0.70
29-50	±0.20	±0.90	±1.50
50-100	±0.50	±1.50	±2.50

부 품 번 Part No.	번호 No.	명 칭 Part Name	갯 수 Q't'y	재 질 Material	비 고 Remarks
1-4	10.07	±0.10	±0.25		
4-8	10.07	±0.20	±0.35		
10-13	10.10	±0.30	±0.50		
16-25	10.15	±0.55	±0.70		
29-50	10.20	±0.90	±1.50		
50-100	10.50	±1.50	±2.50		

SCALE: 1/1

UNIT: MM

SIZE: A1

DATE: 2014.01.15

MODEL No.

DRW No.

CHK No.

APP No.

DATE: 2014.01.15

DRG No.

CHK No.

APP No.

DATE: 2014.01.15

DRG No.

CHK No.

APP No.

DATE: 2014.01.15

DRG No.

CHK No.

APP No.

DATE: 2014.01.15

DRG No.

CHK No.

APP No.

DATE: 2014.01.15

DRG No.

CHK No.

APP No.

DATE: 2014.01.15

DRG No.

CHK No.

APP No.

DATE: 2014.01.15

DRG No.

CHK No.

APP No.

DATE: 2014.01.15

DRG No.

CHK No.

APP No.

DATE: 2014.01.15

DRG No.

CHK No.

APP No.

DATE: 2014.01.15

DRG No.

CHK No.

APP No.

DATE: 2014.01.15

DRG No.

CHK No.

APP No.

DATE: 2014.01.15

DRG No.

CHK No.

APP No.

DATE: 2014.01.15

DRG No.

CHK No.

APP No.

DATE: 2014.01.15

DRG No.

CHK No.

APP No.

DATE: 2014.01.15

DRG No.

CHK No.

APP No.

DATE: 2014.01.15

DRG No.

CHK No.

APP No.

DATE: 2014.01.15

DRG No.

CHK No.

APP No.

DATE: 2014.01.15

DRG No.

CHK No.

APP No.

DATE: 2014.01.15

DRG No.

CHK No.

APP No.

DATE: 2014.01.15

DRG No.

CHK No.

APP No.

DATE: 2014.01.15

DRG No.

CHK No.

APP No.

DATE: 2014.01.15

DRG No.

CHK No.

APP No.

DATE: 2014.01.15

DRG No.

CHK No.

APP No.

DATE: 2014.01.15

DRG No.

CHK No.

APP No.

DATE: 2014.01.15

DRG No.

CHK No.

APP No.

DATE: 2014.01.15

DRG No.

CHK No.

APP No.

DATE: 2014.01.15

DRG No.

CHK No.

APP No.

DATE: 2014.01.15

DRG No.

CHK No.

APP No.

DATE: 2014.01.15

DRG No.

CHK No.

APP No.

DATE: 2014.01.15

DRG No.

CHK No.

APP No.

DATE: 2014.01.15

DRG No.

CHK No.

APP No.

DATE: 2014.01.15

DRG No.

CHK No.

APP No.

DATE: 2014.01.15

DRG No.

CHK No.

APP No.

DATE: 2014.01.15

DRG No.

CHK No.

APP No.

DATE: 2014.01.15

DRG No.

CHK No.

APP No.

DATE: 2014.01.15

DRG No.

CHK No.

APP No.

DATE: 2014.01.15

DRG No.

CHK No.

APP No.

DATE: 2014.01.15

DRG No.

CHK No.

APP No.

DATE: 2014.01.15

DRG No.

CHK No.

APP No.

DATE: 2014.01.15

DRG No.

CHK No.

APP No.

DATE: 2014.01.15

DRG No.

CHK No.

APP No.

DATE: 2014.01.15

DRG No.

CHK No.

APP No.

DATE: 2014.01.15

DRG No.

CHK No.

APP No.

DATE: 2014.01.15

DRG No.

CHK No.

APP No.

DATE: 2014.01.15

DRG No.

CHK No.

APP No.

DATE: 2014.01.15

DRG No.

CHK No.

APP No.

DATE: 2014.01.15

DRG No.

CHK No.

APP No.

DATE: 2014.01.15

DRG No.

CHK No.

APP No.

DATE: 2014.01.15

DRG No.

CHK No.

APP No.

DATE: 2014.01.15

DRG No.

CHK No.

APP No.

DATE: 2014.01.15

DRG No.

CHK No.

APP No.

DATE: 2014.01.15

DRG No.

CHK No.

APP No.

DATE: 2014.01.15

DRG No.

CHK No.