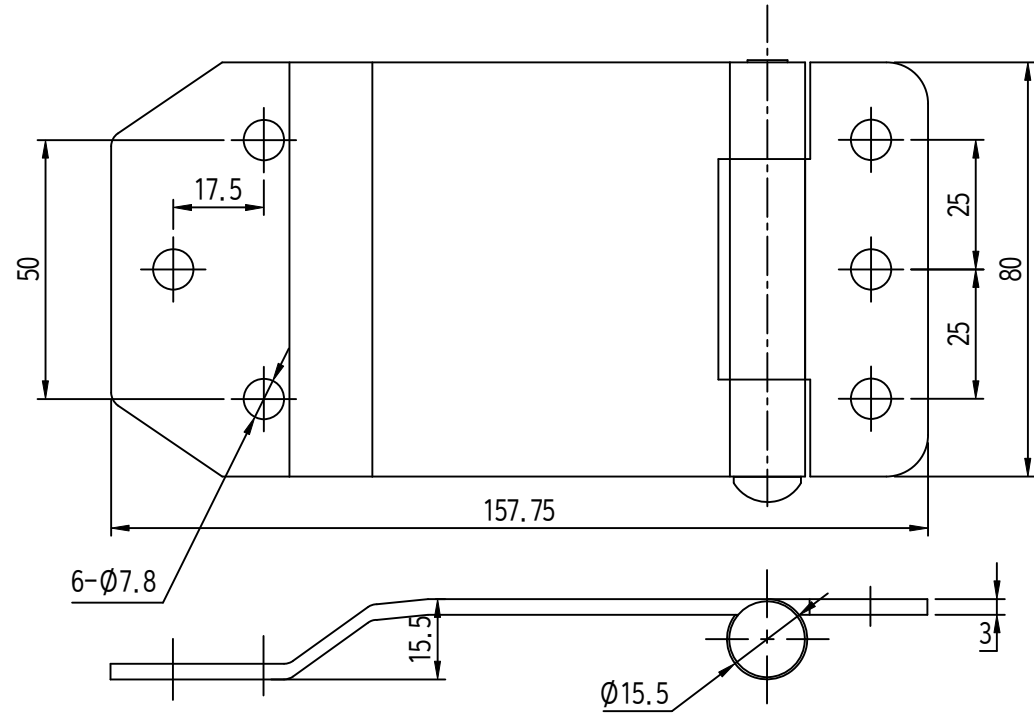


적용 도면 (Applied DRAW. No.)		MARK		DATE	DETAIL OF REVISION		CHECK	APP.
도면 번호 (DRAW. No.)	비 고 (Remarks)	△						
1		△						
2								



GENERAL TOLERANCE			
GRADE	A LEVEL	B LEVEL	C LEVEL
1-4	± 0.05	± 0.10	± 0.25
4-6	± 0.07	± 0.20	± 0.35
16-63	± 0.10	± 0.30	± 0.50
63-250	± 0.18	± 0.55	± 0.90
250-500	± 0.30	± 0.90	± 1.50
500-1000	± 0.50	± 1.50	± 2.50

부 품 번 Part No.		번호 No.	명 칭 Part Name		갯수 Qt'y	재 질 Material	비 고 Remarks
DRAWN	CHECKED	CHECKED	APPROVED	SCALE : 1/1	MODEL :		
				UNIT : MM	TITLE :		
				SIZE : A3	MODEL No.		
				DATE :	DWG No.		