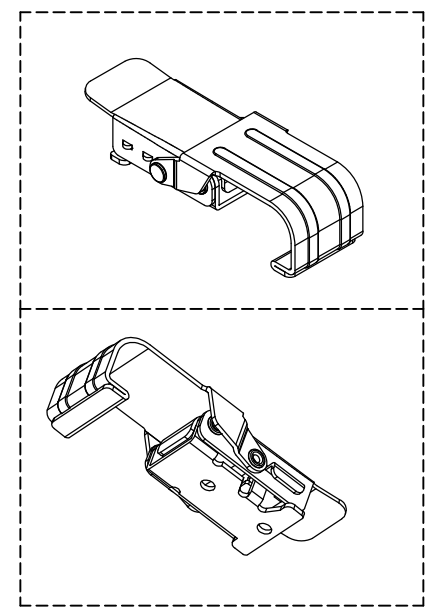
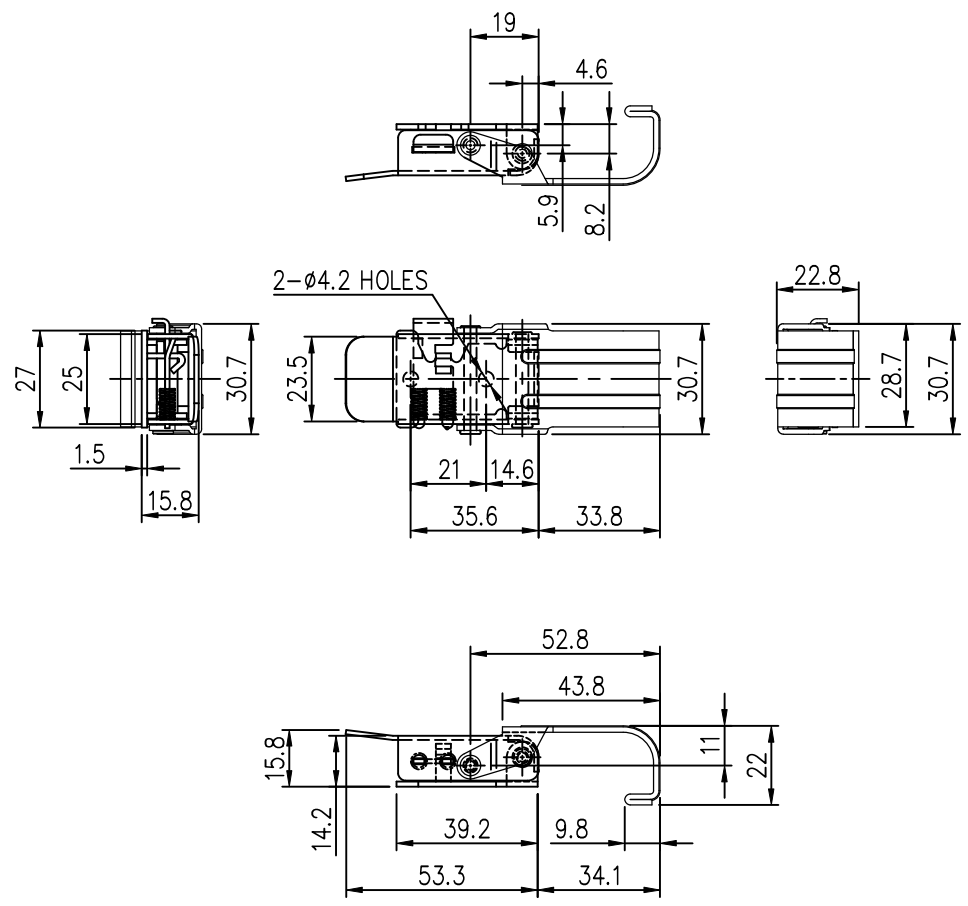


적용 도면 (Applied DRAW. No.)	
도면 번호 (DRAW. No.)	비고 (Remarks)
1	
2	

E			F	
MARK	DATE	DETAIL OF REVISION	CHECK	APP.

SM-50S



ISOMETRIC VIEW

GENERAL TOLERANCE

REVISION	GRADE	A LEVEL	B LEVEL	C LEVEL
1-4		±0.05	±0.10	±0.25
4-16		±0.07	±0.20	±0.75
16-63		±0.10	±0.30	±0.50
63-250		±0.18	±0.55	±0.80
250-500		±0.30	±0.90	±1.50
500-1000		±0.50	±1.50	±2.50

부품 번호 (Part No.)	번호 (No.)	명칭 (Part Name)	갯수 (Qt'y)	재질 (Material)	비고 (Remarks)
DRAWN		CHECKED	APPROVED	SCALE: 1/1	MODEL:
UNIT:			TITLE:		
SIZE: A2			MODEL No.:		
DATE:			DWG No.:		

