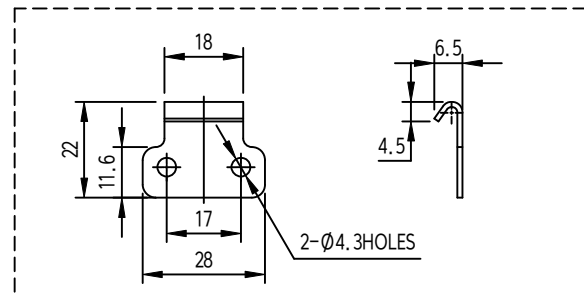
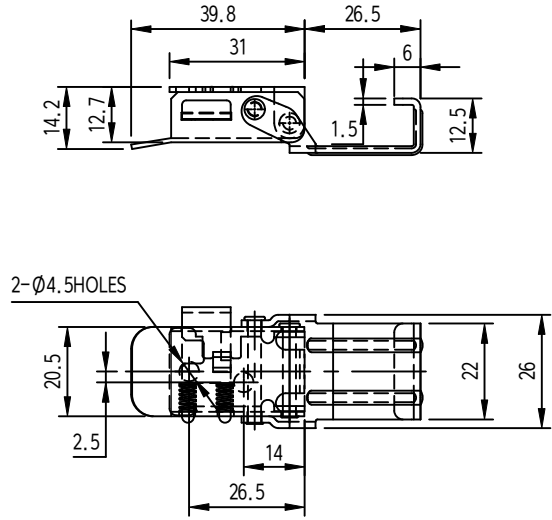


적용 도면 (Applied DRAW. No.)	
도면 번호 (DRAW. No.)	비 고 (Remarks)
1	
2	

MARK	DATE	DETAIL OF REVISION	CHECK	APP.
△				
△				

# SM-6S-1



**주 기**

1. 샘플승인득한후양산할것.
2. 제품조립시작업자가상해를입지않도록날카로운부위를제거한다.
3. 지시하지않은R은자연R로한다.
4. 기타자세한사항은설계자와협의한다.

GENERAL TOLERANCE

DIVISION	GRADE	A LEVEL	B LEVEL	C LEVEL
1-4	<del>±0.05</del>	<del>±0.10</del>	<del>±0.25</del>	<del>±0.50</del>
4-6	<del>±0.07</del>	<del>±0.20</del>	<del>±0.35</del>	<del>±0.75</del>
16-63	<del>±0.10</del>	<del>±0.30</del>	<del>±0.50</del>	<del>±1.00</del>
63-250	<del>±0.18</del>	<del>±0.55</del>	<del>±0.90</del>	<del>±1.50</del>
250-500	<del>±0.30</del>	<del>±0.90</del>	<del>±1.50</del>	<del>±2.50</del>
500-1000	<del>±0.50</del>	<del>±1.50</del>	<del>±2.50</del>	<del>±4.00</del>

부 품 번 Part No.	번 호 No.	명 칭 Part Name	갯 수 Qt'y	재 질	비 고 Remarks
DRAWN	CHECKED	CHECKED	APPROVED	SCALE : 1/1	MODEL :
UNIT : MM			TITLE :		
SIZE : A2			MODEL No. :		
DATE :				DWG No. :	

