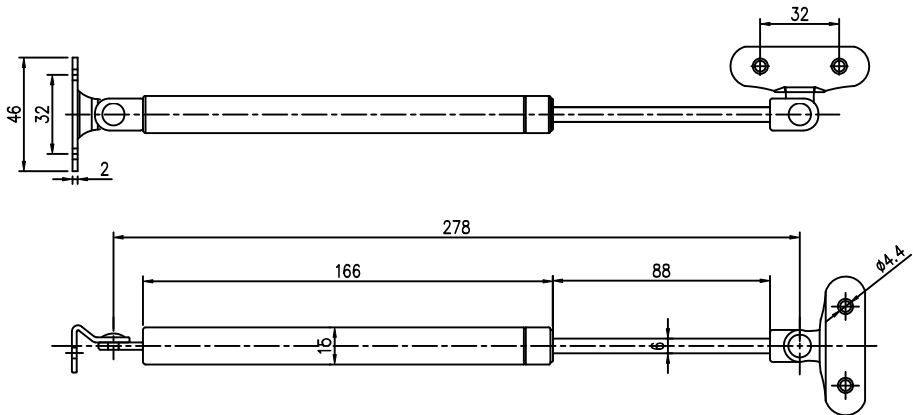


제출 일자 (Applied Date, No.)	제출 번호 (Applied No.)
입력 일자 (Input, No.)	입력 번호 (Input No.)

MARK	DATE	DETAIL OF REVISION	CHECK	APP.
△				

SGS-278 Series



GENERAL TOLERANCE

수량	A LEVEL	B LEVEL	C LEVEL
1-4	±0.07	±0.10	±0.12
4-6	±0.07	±0.20	±0.25
16-63	±0.10	±0.30	±0.50
63-250	±0.15	±0.55	±1.00
250-500	±0.30	±0.80	±1.50
500-1000	±0.50	±1.50	±3.00

부품번호	번호	명칭	수량	재질	비고							
Part No.	No.	Part Name	Q'ty	Material	Remarks							
<table border="1"> <tr> <td>DRAWN</td> <td>CHECKED</td> <td>CHECKED</td> <td>APPROVED</td> </tr> </table>			DRAWN	CHECKED	CHECKED	APPROVED	<table border="1"> <tr> <td>DATE</td> <td>TITLE</td> </tr> <tr> <td></td> <td>MM</td> </tr> </table>		DATE	TITLE		MM
DRAWN	CHECKED	CHECKED	APPROVED									
DATE	TITLE											
	MM											
<table border="1"> <tr> <td>DATE</td> <td>MOCK No.</td> </tr> <tr> <td></td> <td></td> </tr> </table>			DATE	MOCK No.			<table border="1"> <tr> <td>DATE</td> <td>DWG No.</td> </tr> <tr> <td></td> <td></td> </tr> </table>		DATE	DWG No.		
DATE	MOCK No.											
DATE	DWG No.											

SAMO