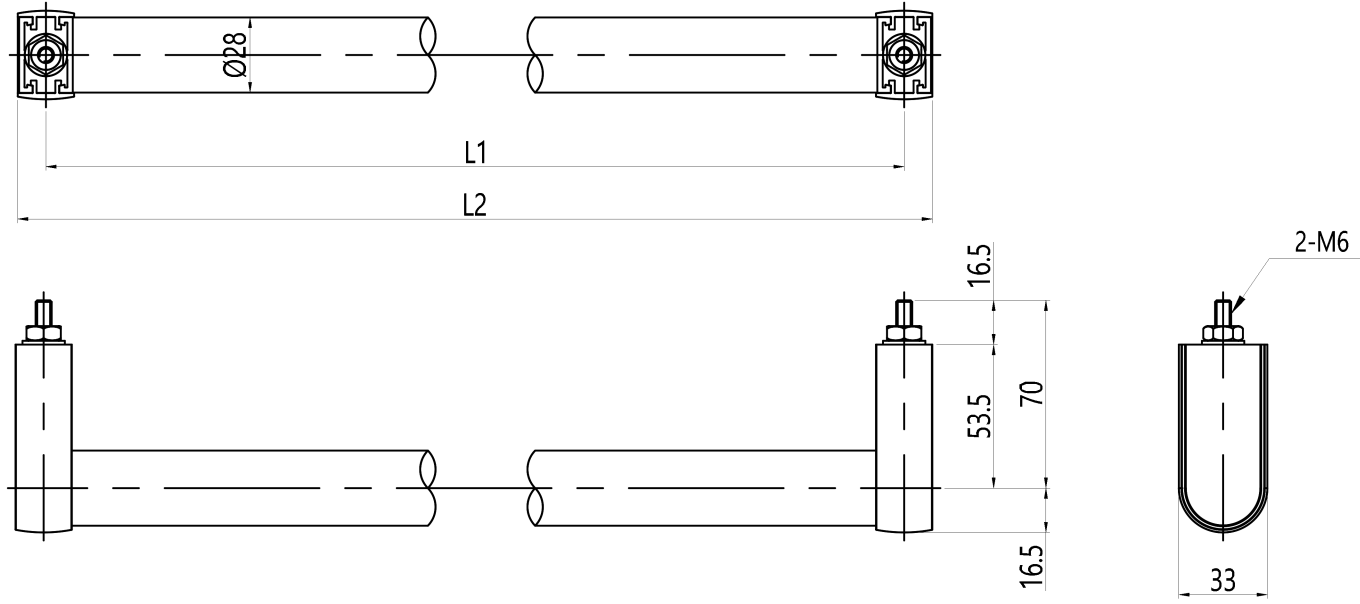


작성 도면 (App) and DRAW. No.	
도면 번호 (DRAW. No.)	비고 (Remarks)
1	
2	

MARK	DATE	DETAIL OF REVISION	CHECK	APP.
▲				



	L1	L2
SPLB-028-250	250	271
SPLB-028-300	300	321
SPLB-028-350	350	371
SPLB-028-400	400	421
SPLB-028-500	500	521
SPLB-028-600	600	621

GENERAL TOLERANCE				부품번		명칭		갯수	재질	비고
LEVEL	A LEVEL	B LEVEL	C LEVEL	Part No.	No.	Part Name	Qt'y			Remarks
1-4	± 0.07	± 0.10	± 0.20							
4-6	± 0.07	± 0.20	± 0.25							
10-33	± 0.10	± 0.30	± 0.50							
63-250	± 0.15	± 0.55	± 0.80							
250-500	± 0.20	± 0.90	± 1.50							
500-1000	± 0.50	± 1.50	± 2.50							

DRAWN	CHECKED	CHECKED	APPROVED	SCALE :	MODEL :
UNIT :			TITLE :		
SIZE: AT			MODEL No.		
DATE :			DWG No.		

