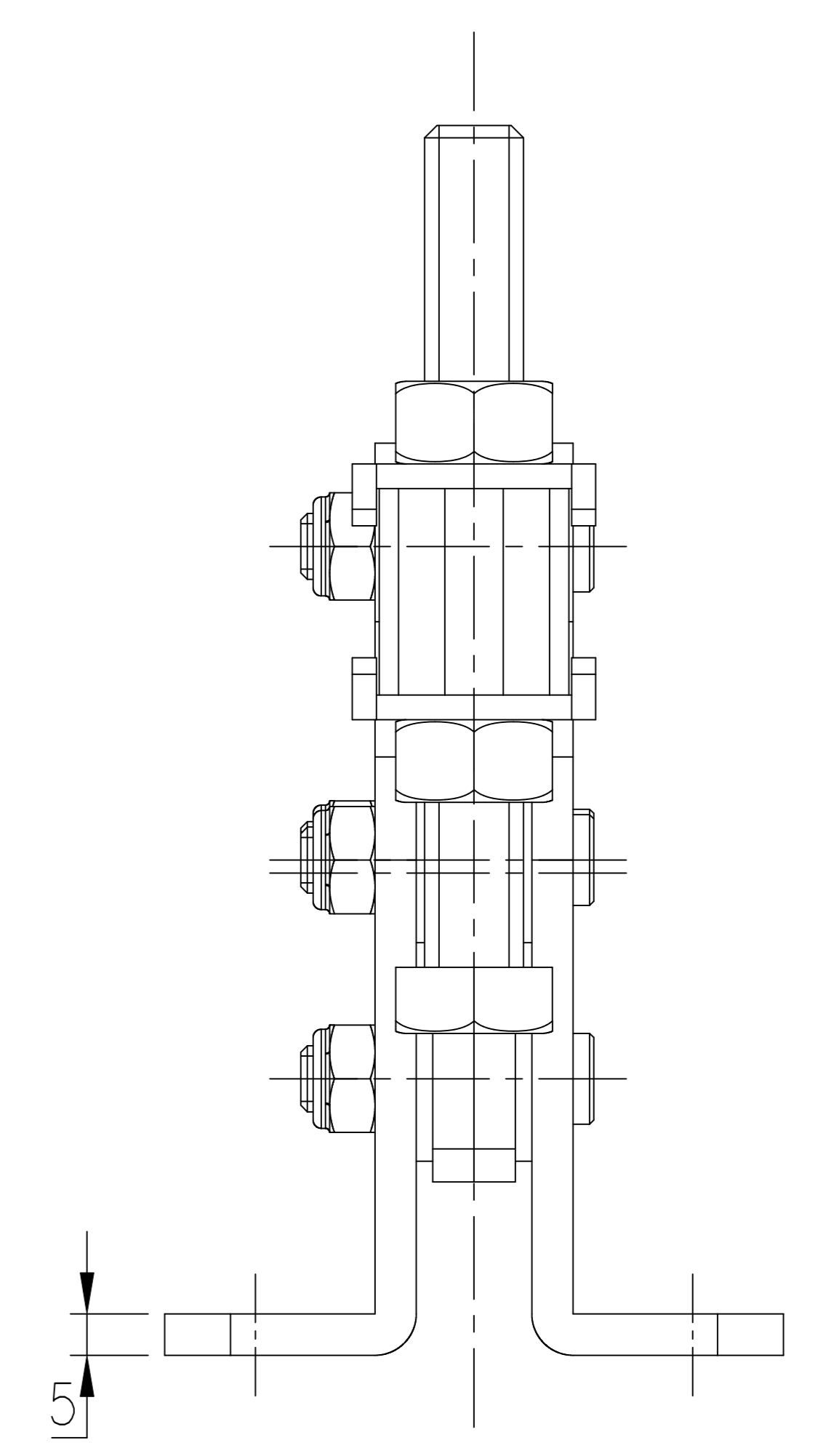
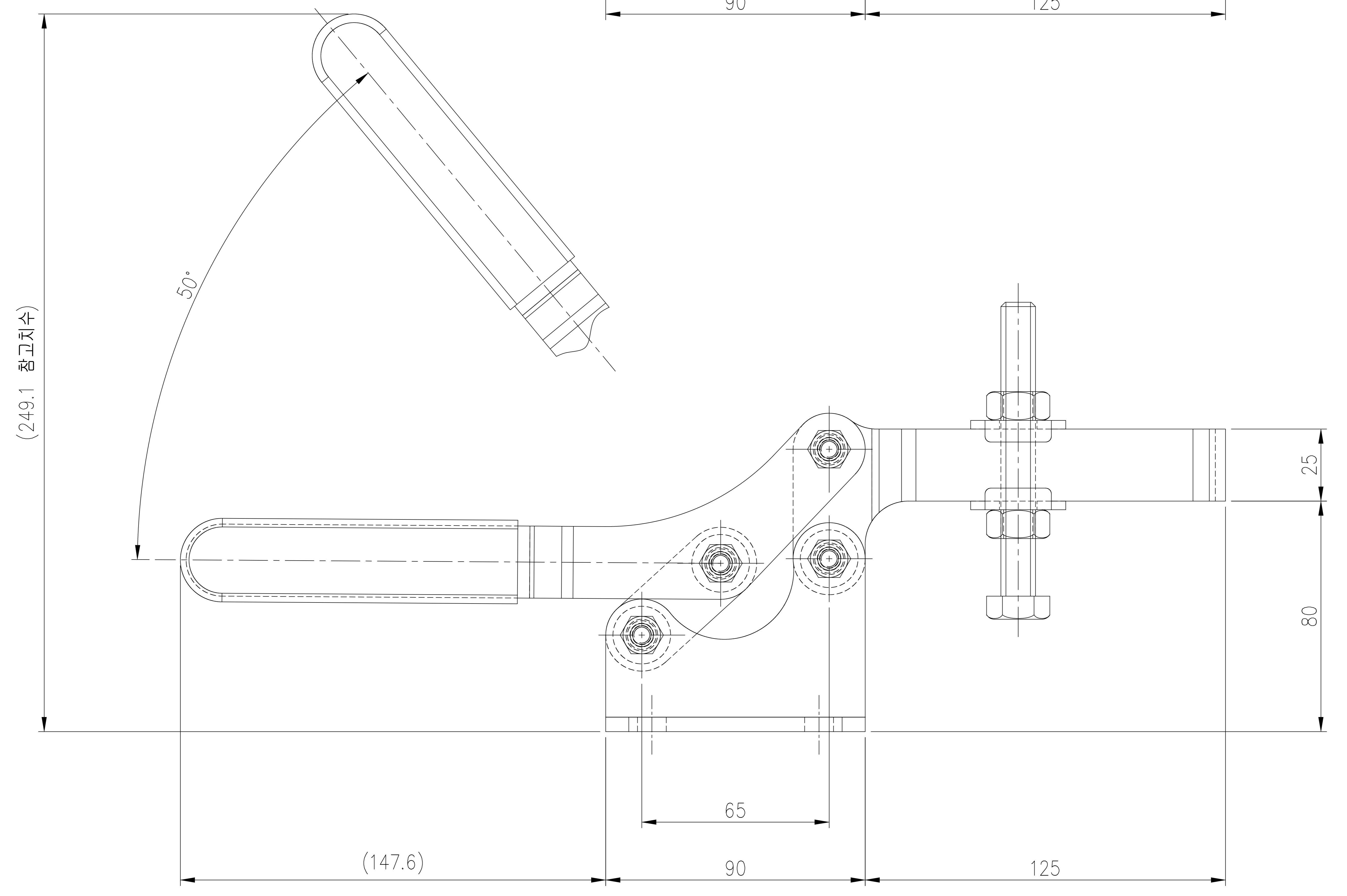
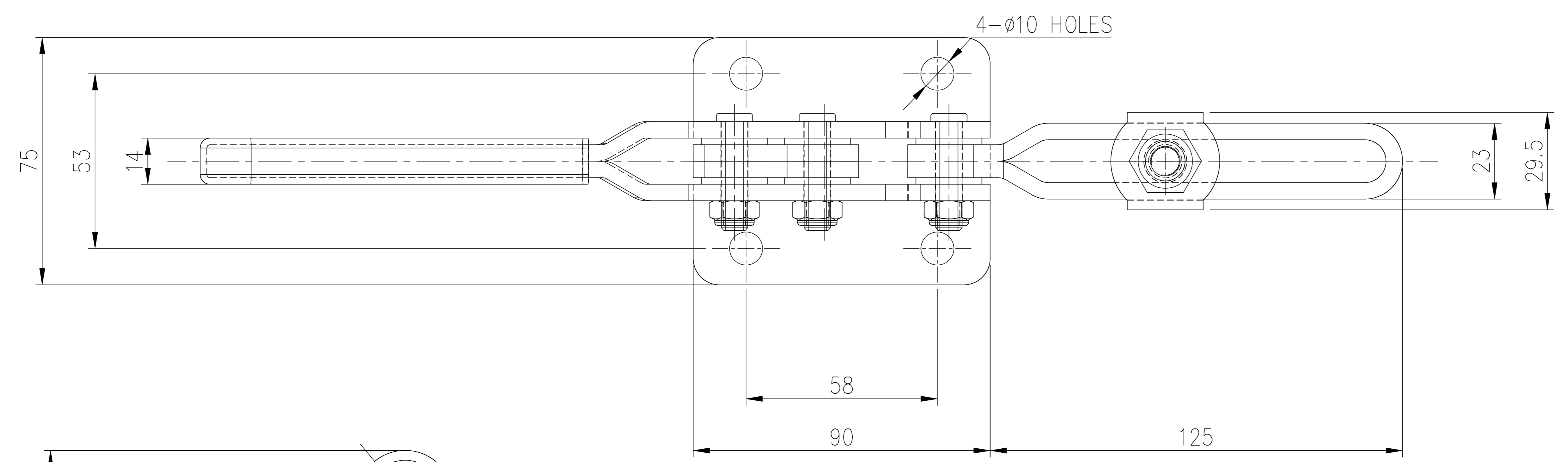


적용 도면 (Applied DRAW. No.)	
도면 번호 (DRAW. No.)	비고 (Remarks)
1	
2	

MARK	DATE	DETAIL OF REVISION	CHECK	APP.
△				
△				



1. ?? ?? ?? ?? ?? ?.
2. ?? ?? ?? ?? ?? ?? ?? ?? ?? ?? ?? ??.
3. ?? ?? ?? R? ??R? ??.
4. ?? ?? ?? ?? ?? ?? ??.

GENERAL TOLERANCE			
DIVISION	GRADE	A LEVEL	B LEVEL / C LEVEL
1-4		±0.05	±0.10 / ±0.25
4-6		±0.07	±0.20 / ±0.35
16-63		±0.10	±0.30 / ±0.50
63-250		±0.18	±0.55 / ±0.90
250-500		±0.30	±0.90 / ±1.50
500-1000		±0.50	±1.50 / ±2.50

부품번	번호	명칭	갯수	재질	비고
Part No.	No.	Part Name	Qty	Material	Remarks
DRAWN	CHECKED	CHECKED	APPROVED	SCALE: 1/1	MODEL:
				UNIT: MM	TITLE:
				SIZE: A1	MODEL No.:
				DATE: 2009. 02. 16	DWG No. LWP-TP1005-0