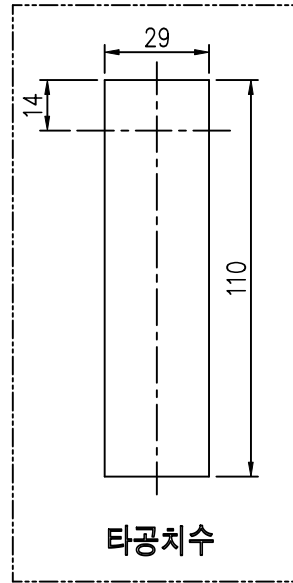
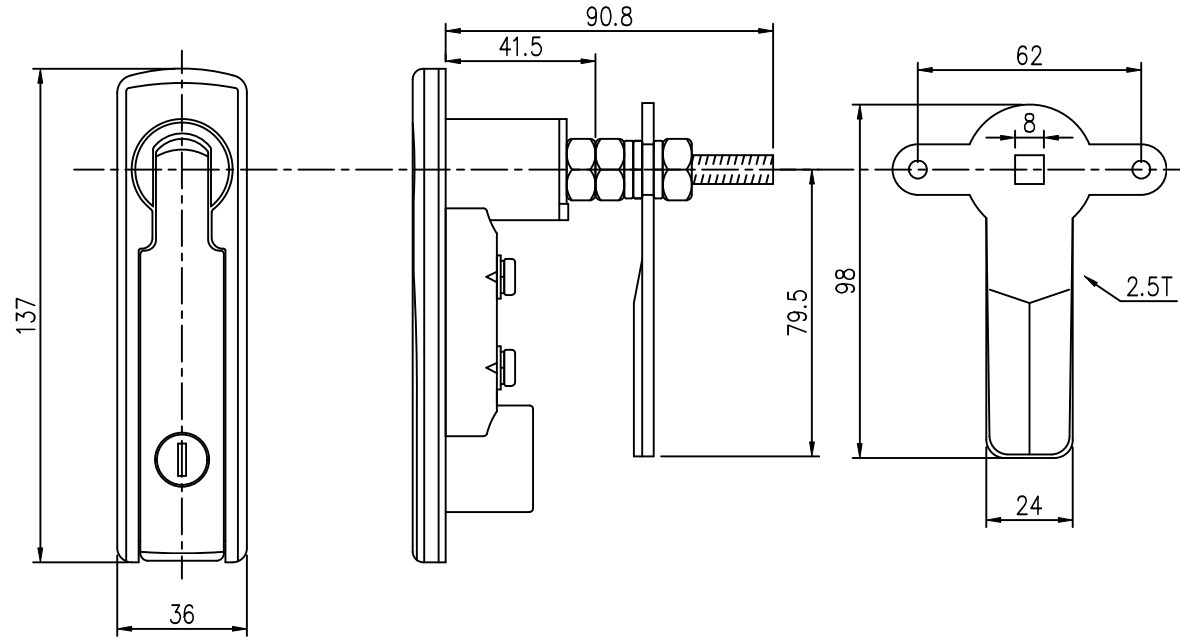


작성 도면 (Applied DRAW. No.)	
도면 번호 (DRAW. No.)	비고 (Remarks)
1	
2	

MARK	DATE	DETAIL OF REVISION	CHECK	APP.
△				

SBH-S137



타공치수

GENERAL TOLERANCE

DIVISION	GRADE	A LEVEL	B LEVEL	C LEVEL
1-4	<del>±0.05</del>	<del>±0.10</del>	<del>±0.20</del>	<del>±0.25</del>
4-6	<del>±0.07</del>	<del>±0.20</del>	<del>±0.30</del>	<del>±0.35</del>
16-63	<del>±0.10</del>	<del>±0.30</del>	<del>±0.50</del>	<del>±0.60</del>
63-250	<del>±0.15</del>	<del>±0.55</del>	<del>±0.90</del>	<del>±1.00</del>
250-500	<del>±0.30</del>	<del>±0.90</del>	<del>±1.50</del>	<del>±1.50</del>
500-1000	<del>±0.50</del>	<del>±1.50</del>	<del>±2.50</del>	<del>±2.50</del>

부품 번호 Part No.	번호 No.	명칭 Part Name	갯수 Qty	재질	비고 Remarks
DRAWN	CHECKED	CHECKED	APPROVED	SCALE : 1/1	MODEL :
UNIT : MM			TITLE :		
SIZE : A1			MODEL No. :		
DATE :			DWG No. :		

**SAMO**