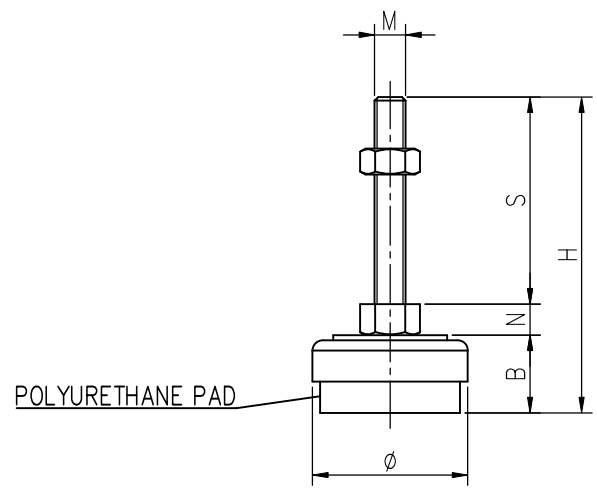


적용 도면 (Applied DRAW. No.)		MARK		DATE	DETAIL OF REVISION		CHECK	APP.
도면 번호 (DRAW. No.)	비 고 (Remarks)	△						
1		△						
2								



GENERAL TOLERANCE

DIVISION	GRADE	A LEVEL	B LEVEL	C LEVEL
1-4	<del>±0.05</del>	<del>±0.10</del>	<del>±0.25</del>	
4-6	<del>±0.07</del>	<del>±0.20</del>	<del>±0.35</del>	
16-63	<del>±0.10</del>	<del>±0.30</del>	<del>±0.50</del>	
63-250	<del>±0.18</del>	<del>±0.55</del>	<del>±0.90</del>	
250-500	<del>±0.30</del>	<del>±0.90</del>	<del>±1.50</del>	
500-1000	<del>±0.50</del>	<del>±1.50</del>	<del>±2.50</del>	

부 품 번 Part No.		번호 No.	명 칭 Part Name		갯수 Qt'y	재 질	비 고 Remarks
DRAWN	CHECKED	CHECKED	APPROVED	SCALE : 1/1	MODEL :		
				UNIT : MM	TITLE :		
<b>SAMO</b>				SIZE : A3	THIRD ANGLE PROJECTION	MODEL No.	
				DATE :		DWG No.	