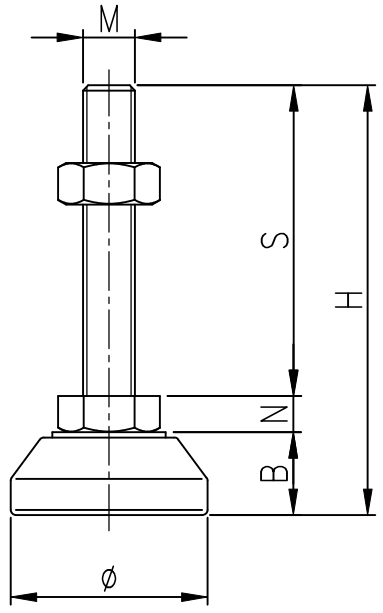


| | | | | | | | | |
|---------------------------|---------------|------|--|------|--------------------|--|-------|------|
| 적용 도면 (Applied DRAW. No.) | | MARK | | DATE | DETAIL OF REVISION | | CHECK | APP. |
| 도면 번호 (DRAW. No.) | 비 고 (Remarks) | △ | | | | | | |
| 1 | | △ | | | | | | |
| 2 | | | | | | | | |



GENERAL TOLERANCE

| DIVISION | GRADE | A LEVEL | B LEVEL | C LEVEL |
|----------|------------------|------------------|------------------|---------|
| 1-4 | ±0.05 | ±0.10 | ±0.25 | |
| 4-6 | ±0.07 | ±0.20 | ±0.35 | |
| 16-63 | ±0.10 | ±0.30 | ±0.50 | |
| 63-250 | ±0.18 | ±0.55 | ±0.90 | |
| 250-500 | ±0.30 | ±0.90 | ±1.50 | |
| 500-1000 | ±0.50 | ±1.50 | ±2.50 | |

| | | | | | |
|-------------------|-----------|------------------|------------|-------------|----------------|
| 부 품 번 Part No. | 번호 No. | 명 칭 Part Name | 갯수 Qt'y | 재 질 | 비 고 Remarks |
| DRAWN | CHECKED | CHECKED | APPROVED | SCALE : 1/1 | MODEL : |
| | | | | UNIT : MM | TITLE : |
| SAMO | | | | SIZE : A3 | MODEL No. |
| | | | | DATE : | DWG No. |

