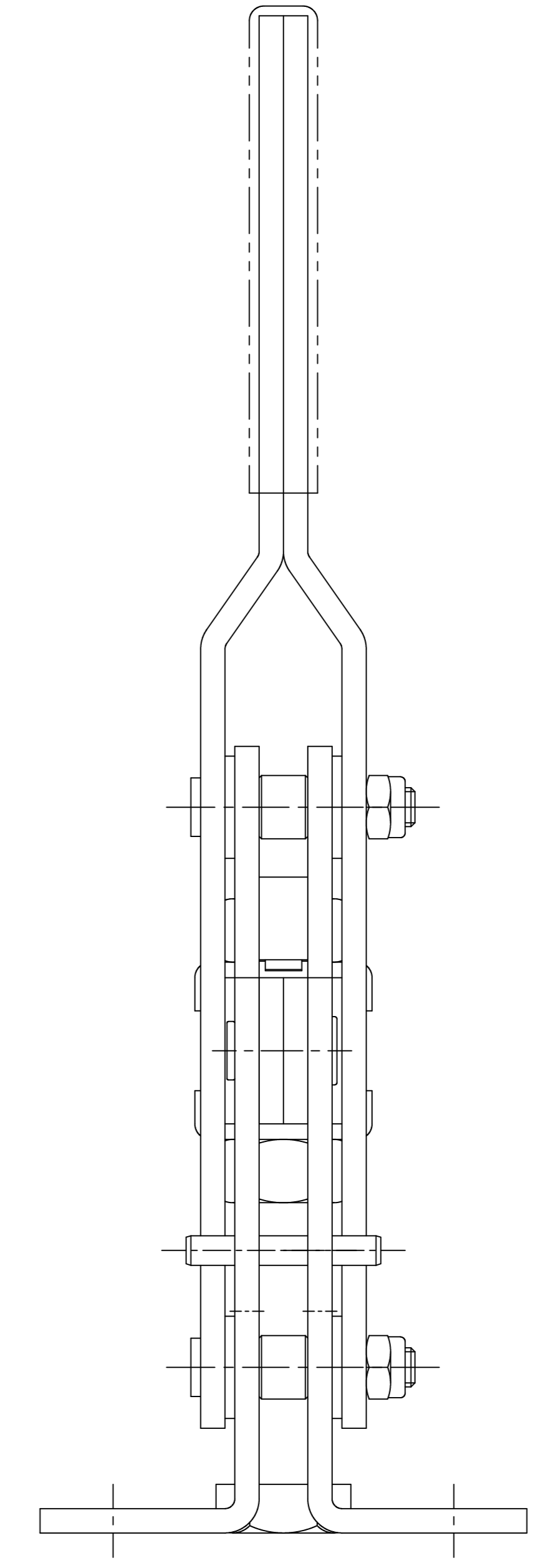
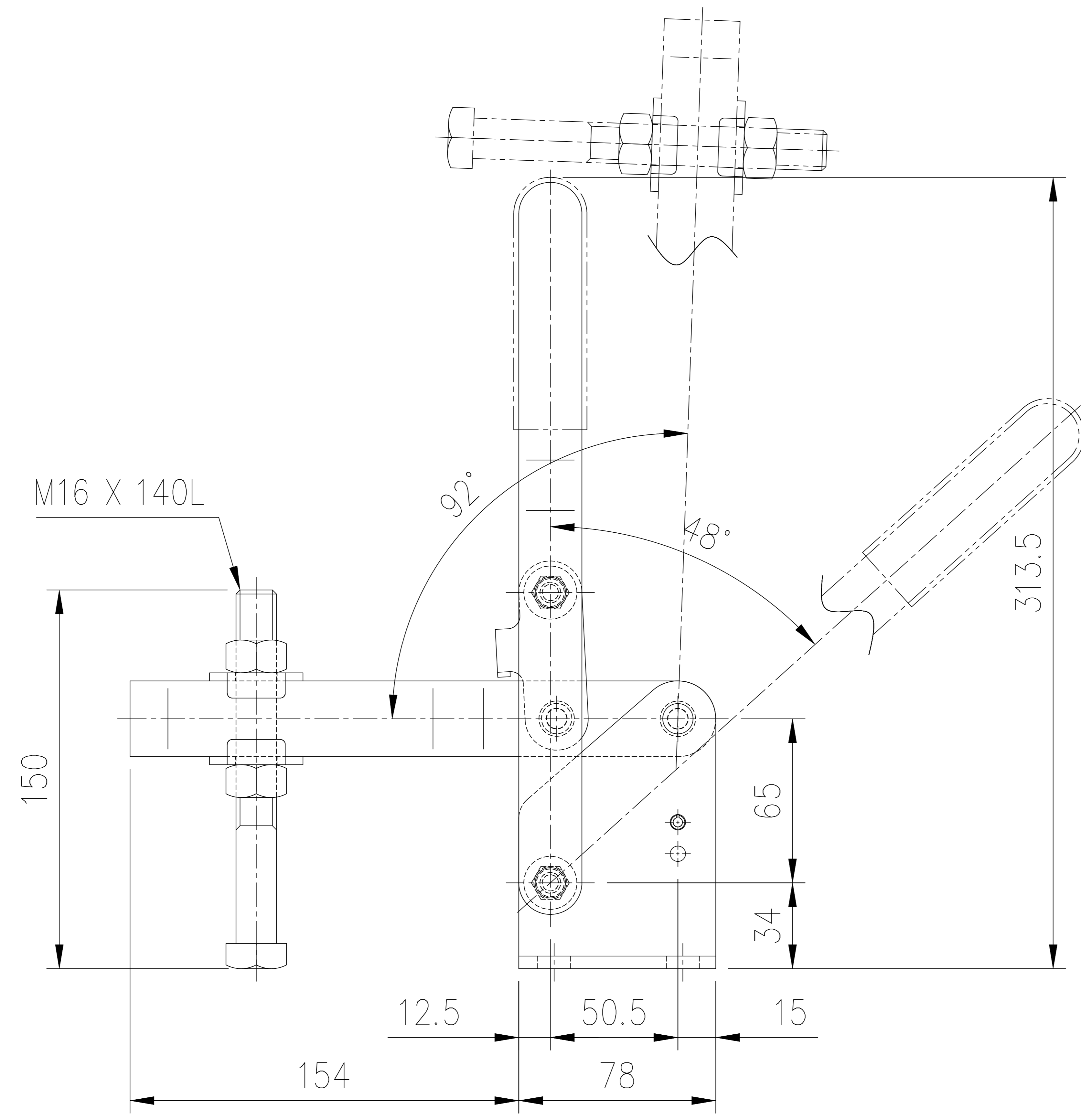
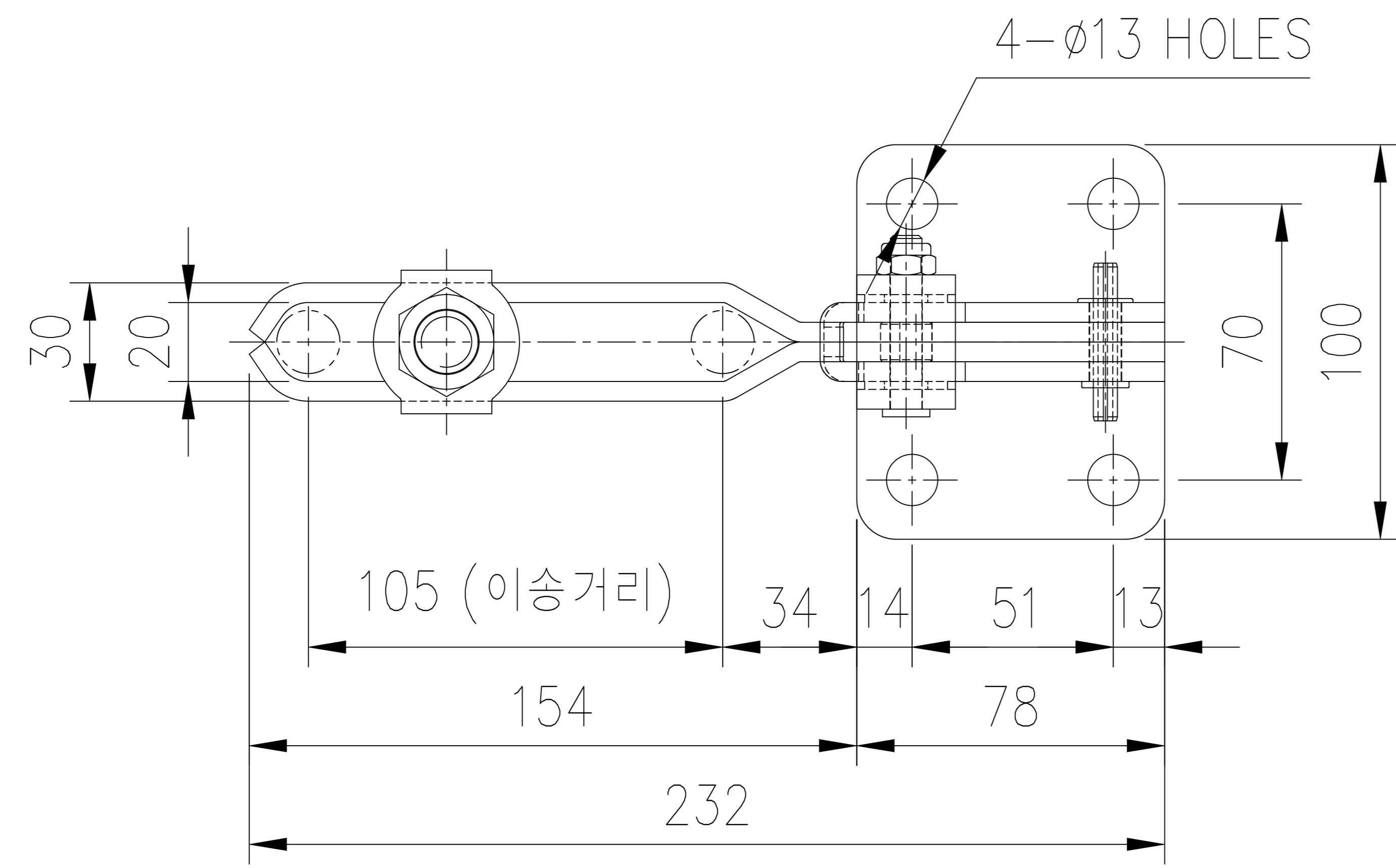


1	도면 번호 (DWG No.)	비고 (Remarks)
2		

MARK	DATE	DETAIL OF REVISION	CHECK	APP.



GENERAL TOLERANCE				부품번	번호	영칭	갯수	재질	비고
GRADE	A LEVEL	B LEVEL	C LEVEL	Part No.	No.	Part Name	Qt'y	Material	Remarks
1-4	±0.05	±0.10	±0.25	DRAWN	CHECKED	CHECKED	APPROVED	SCALE: 1/1	REVISION:
4-16	±0.07	±0.20	±0.35						
16-63	±0.10	±0.30	±0.50						
63-250	±0.18	±0.55	±0.90						
250-500	±0.30	±0.90	±1.50						
500-1000	±0.50	±1.50	±2.50						

SAMO

DATE:
 MODEL No.
 DWG No.