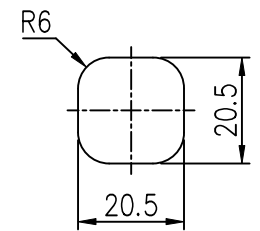
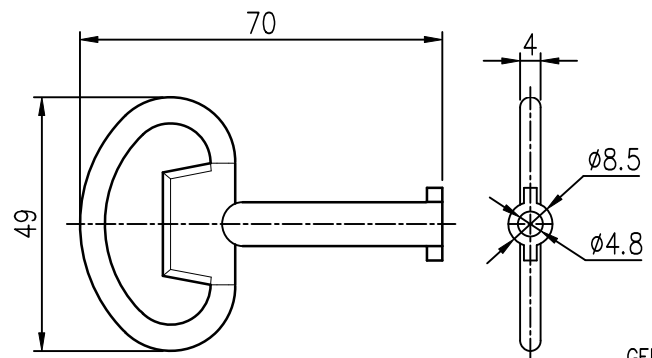
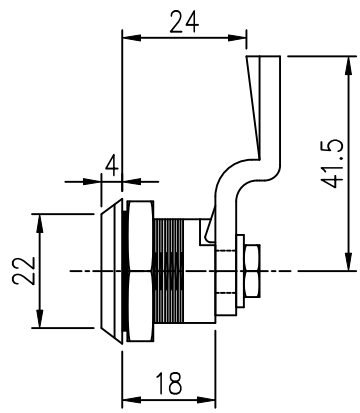
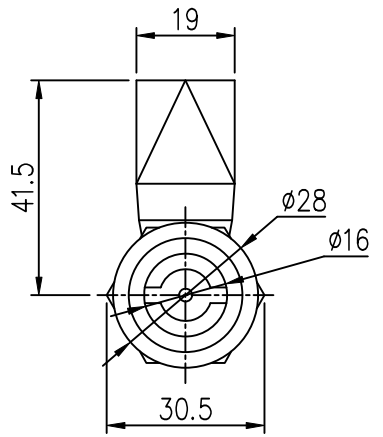
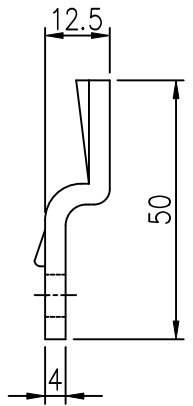
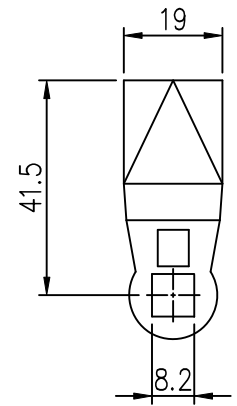


적용 도면 (Applied DRAW. No.)		MARK		DATE	DETAIL OF REVISION		CHECK	APP.
도면 번호 (DRAW. No.)	비고 (Remarks)	△						
1		△						
2								

SCL-R-B



PANEL HOLE SIZE

DIVISION	GRADE	GENERAL TOLERANCE		
		A LEVEL	B LEVEL	C LEVEL
1-4		± 0.05	± 0.10	± 0.25
4-6		± 0.07	± 0.20	± 0.35
16-63		± 0.10	± 0.30	± 0.50
63-250		± 0.18	± 0.55	± 0.90
250-500		± 0.30	± 0.90	± 1.50
500-1000		± 0.50	± 1.50	± 2.50

부품번호 Part No.		번호 No.	명칭 Part Name		갯수 Qt'y	재질	비고 Remarks
DRAWN	CHECKED	CHECKED	APPROVED	SCALE: 1/1	MODEL:		
				UNIT: MM	TITLE:		
				SIZE: A3	MODEL No.		
				DATE:	DWG No.		