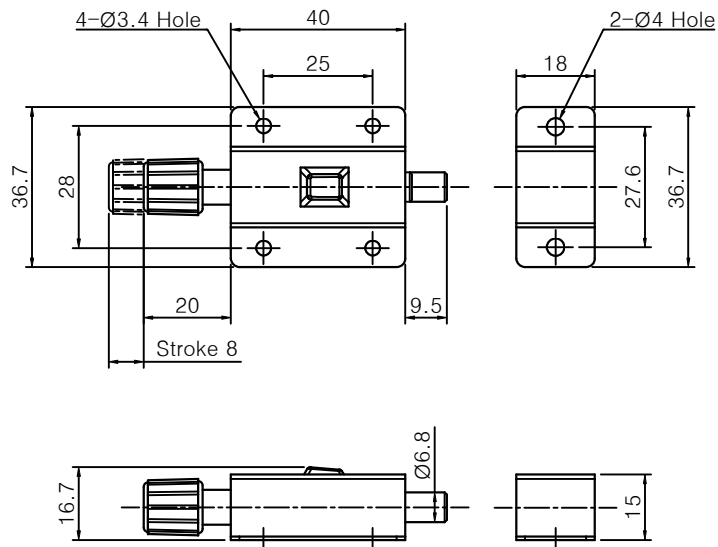


적용 도면 (Applied DRAW. No.)	
도면 번호 (DRAW. No.)	비 고 (Remarks)
1	
2	

MARK	DATE	DETAIL OF REVISION	CHECK	APP.
△				
△				



GENERAL TOLERANCE

DIVISION	GRADE	A LEVEL	B LEVEL	C LEVEL
1-4	±0.05	±0.10	±0.20	±0.50
4-6	±0.07	±0.20	±0.35	±0.75
16-63	±0.10	±0.30	±0.50	±1.00
63-250	±0.18	±0.55	±0.90	±1.80
250-500	±0.30	±0.90	±1.50	±3.00
500-1000	±0.50	±1.50	±2.50	±5.00

부 품 번 Part No.	번호 No.	명 칭 Part Name	갯수 Qt'y	재 질	비 고 Remarks
DRAWN	CHECKED	CHECKED	APPROVED	SCALE : 1/1	MODEL :
				UNIT : MM	TITLE :
			SIZE : A2	MODEL No.	
			DATE :	DWG No.	