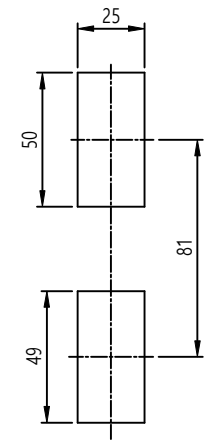
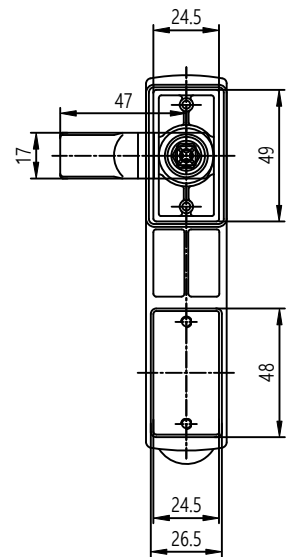
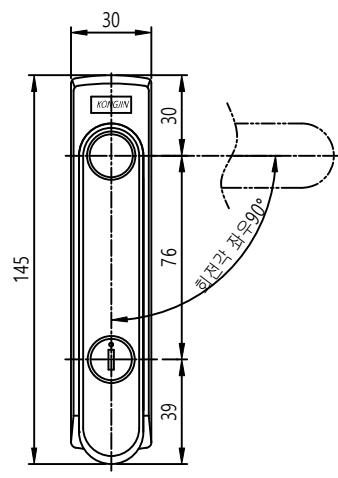


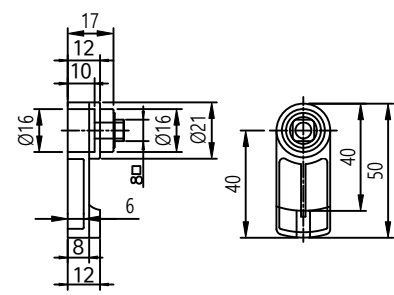
작성 도면 (Applied DRAW. No.)	
도면 번호 (DRAW. No.)	비고 (Remarks)

MARK	DATE	DETAIL OF REVISION	CHECK	APP.

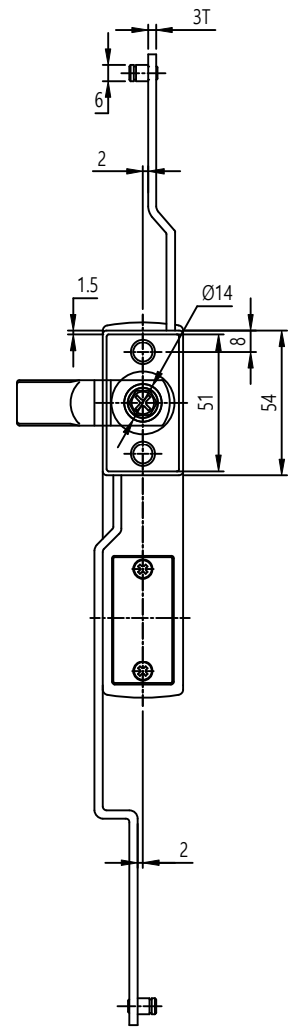
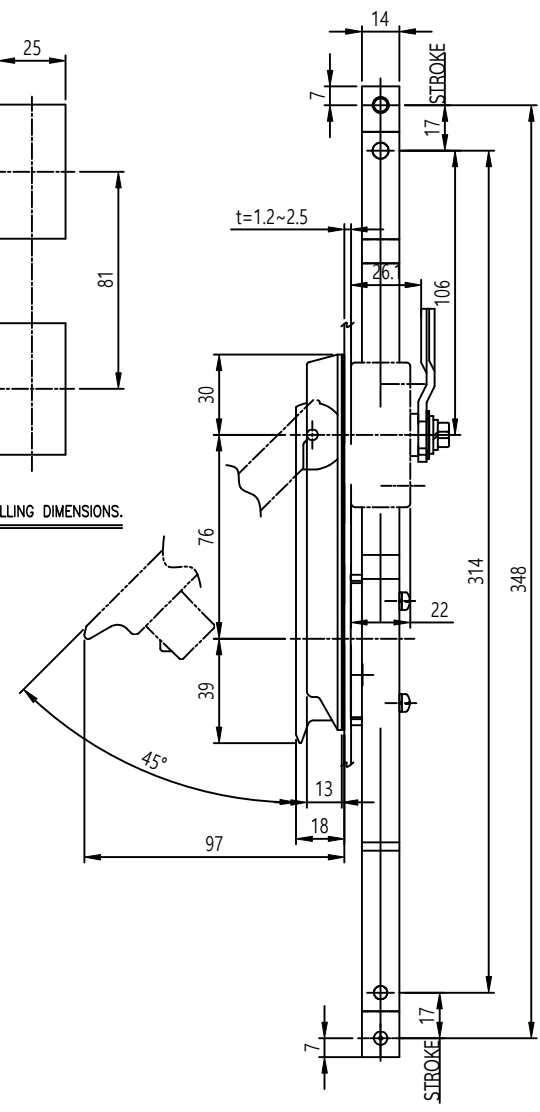
SBH-KA606-2KC



PANEL DRILLING DIMENSIONS.



3 POINT LOCK HANDLE



GENERAL TOLERANCE

GRADE	A LEVEL	B LEVEL	C LEVEL
1-4	±0.07	±0.10	±0.20
4-6	±0.07	±0.20	±0.25
16-63	±0.10	±0.30	±0.50
63-250	±0.15	±0.55	±0.80
250-500	±0.30	±0.90	±1.50
500-1000	±0.50	±1.50	±2.50

부품 번호 (Part No.)	번호 (No.)	명칭 (Part Name)	갯수 (Q'ty)	재질 (Material)	비고 (Remarks)
DRAWN / CHECKED / APPROVED			SCALE: 1/1	MODEL	TITLE
DATE			DATE	MODEL No.	DWG No.

