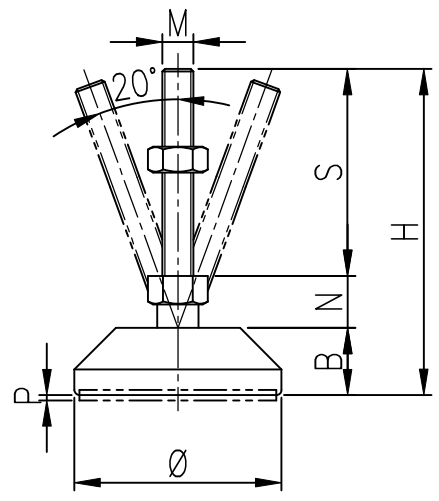


|                           |               |      |  |      |                    |  |       |      |
|---------------------------|---------------|------|--|------|--------------------|--|-------|------|
| 적용 도면 (Applied DRAW. No.) |               | MARK |  | DATE | DETAIL OF REVISION |  | CHECK | APP. |
| 도면 번호 (DRAW. No.)         | 비 고 (Remarks) | △    |  |      |                    |  |       |      |
| 1                         |               | △    |  |      |                    |  |       |      |
| 2                         |               |      |  |      |                    |  |       |      |



GENERAL TOLERANCE

| DIVISION | GRADE | A LEVEL | B LEVEL | C LEVEL |
|----------|-------|---------|---------|---------|
| 1-4      |       | ±0.05   | ±0.10   | ±0.25   |
| 4-6      |       | ±0.07   | ±0.20   | ±0.35   |
| 16-63    |       | ±0.10   | ±0.30   | ±0.50   |
| 63-250   |       | ±0.18   | ±0.55   | ±0.90   |
| 250-500  |       | ±0.30   | ±0.90   | ±1.50   |
| 500-1000 |       | ±0.50   | ±1.50   | ±2.50   |

|                   |         |           |                  |             |            |     |                |
|-------------------|---------|-----------|------------------|-------------|------------|-----|----------------|
| 부 품 번<br>Part No. |         | 번호<br>No. | 명 칭<br>Part Name |             | 갯수<br>Qt'y | 재 질 | 비 고<br>Remarks |
| DRAWN             | CHECKED | CHECKED   | APPROVED         | SCALE : 1/1 | MODEL :    |     |                |
|                   |         |           |                  | UNIT : MM   | TITLE :    |     |                |
| SAMO              |         |           |                  | SIZE : A3   | MODEL No.  |     |                |
|                   |         |           |                  | DATE :      | DWG No.    |     |                |

1

2

3

1

2

3